

CODE	Dn1	Dn2	S	D	L1	L2	L3	L	H1	H
12ETCE020	20	20	3	32	37,5	46	52	45	66,5	83
12ETCE025	25	25	3	37	37,5	46	57	50	68,5	87
12ETCE032	32	32	3	44	37,5	47	64	55	75	96,5
12ETCE040	40	40	3,7	54	44	54	74	66,5	84	111
12ETCE050	50	50	4,6	65	46,5	61	85	76,5	100	133,5
12ETCE063	63	63	5,8	80	57	68	99	90	115	156
12ETCE075	75	75	6,8	95	58	72	112	98	130	178
12ETCE090	90	90	8,2	118	70	84	139,5	122	150	209
12ETCE110	110	110	10	139	83	88,5	156,5	144	177	247
12ETCE125	125	125	11,4	158	88	94	174	157,5	191,5	270
12ETCE160	160	160	14,6	190	87	105	201,5	151	208	303
12ETCE180	180	180	16,4	210	92	105	230	165	245	350
12ETCE200	200	200	18,2	235	115	115	250	195	245	375



EloFIT

ITEM: **ETCE**

C:\Vault_Temp\Disegni\Schede Tecniche\Elofit metric\Electrofusion fittings\EL10144.dwg

DESC: TEE ELETROSALDABILE MONOFILARE CON
DERIVAZIONE A CODOLO
SINGLE-WIRE ELECTROFUSION EQUAL TEE WITH
SPIGOT END
PE100 SDR11 PFA/PN16

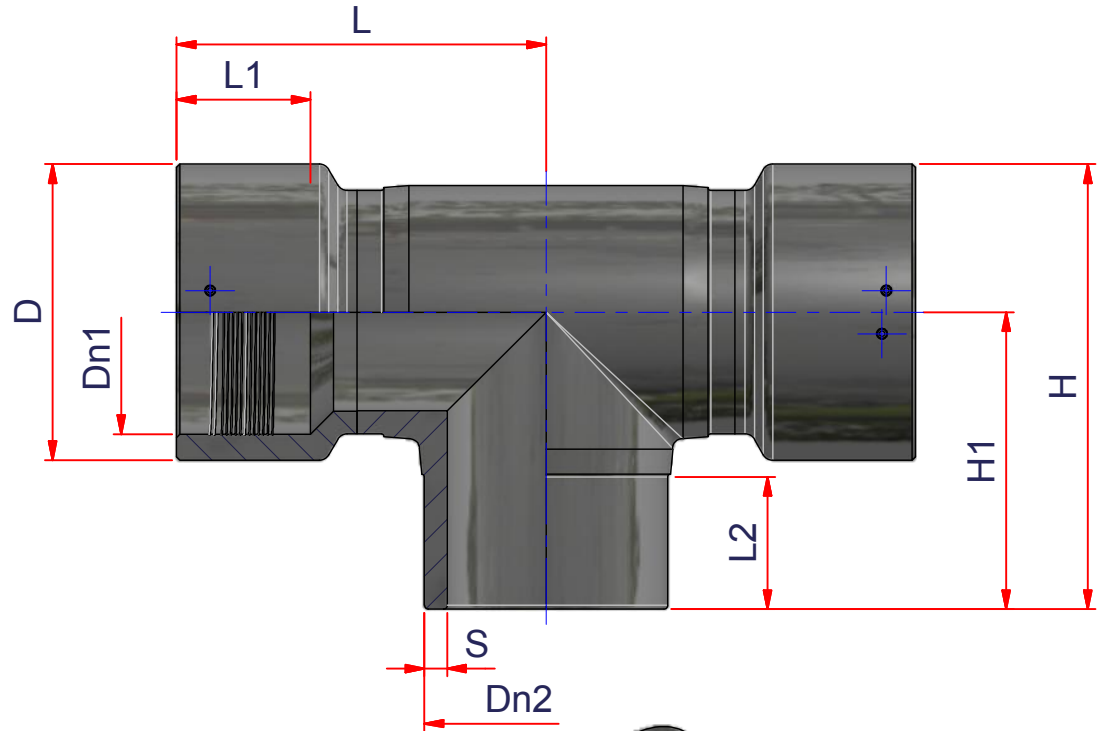


DRAWING No:
EL10144

SHEET OF	REV.
1 2	-3

www.nupiindustriaitaliane.com - info@nupinet.com

All dimensions have to be considered in millimeters with 5% tolerance if not otherwise mentioned excluding values as per standard EN 1555 (gas) and/or EN 12201 (water)



CODE	Dn1	Dn2	S	D	L1	L2	L3	L	H1	H
12ETCE225	225	225	20,5	274	124	125	-	342	275	412
12ETCE250	250	250	22,7	308	120	135	-	377	305	459
12ETCE315	315	315	28,6	380	155	150	-	427	350	540



EloFIT

ITEM: **ETCE**

C:\Vault_Temp\Disegn\ISchede Tecniche\Elofit metric\Electrofusion fittings\EL10144.dwg

DESC: TEE ELETROSALDABILE BIFILARE
CON DERIVAZIONE A CODOLO
TWO-WIRE ELECTROFUSION EQUAL TEE
WITH SPIGOT END
PE100 SDR11 PFA/PN16



DRAWING No:
EL10144

SHEET OF REV.
2 2 -3

www.nupiindustriaitaliane.com - info@nupinet.com

All dimensions have to be considered in millimeters with 5% tolerance if not otherwise mentioned excluding values as per standard EN 1555 (gas) and/or EN 12201 (water)