

EGO 2006 ball valve, stainless steel, threaded PN63

Description:

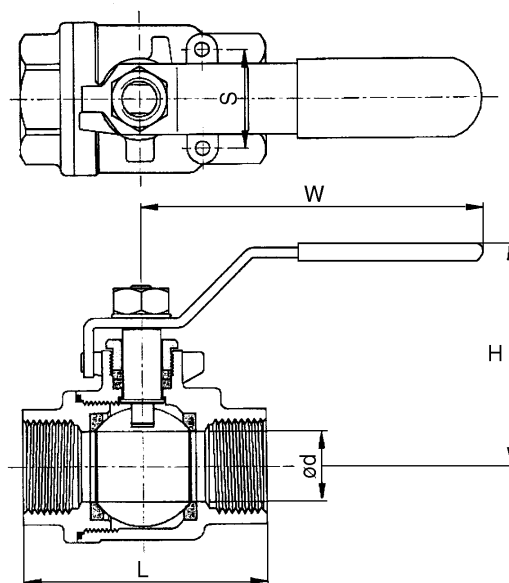
Female threads, two-piece ball valve with full flow. Blow-out proof stem. Lockable hand lever. Mounting lug with two holes that are prepared for thread.

Area of application:

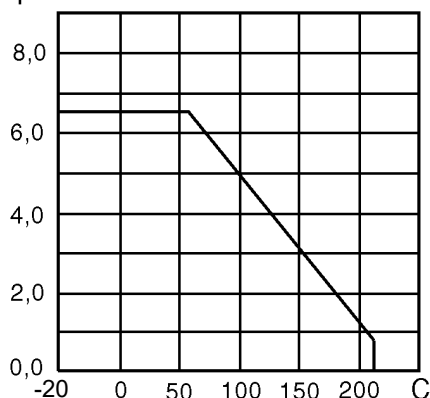
Fluids, steam and gases that do not attack incorporated materials.



Technical Data		
No.	Detail	Material
1	Valve body	Acid-resistant steel AISI 316, A351-CF8M 1.4408
2	Ball	Acid-resistant steel AISI 316, A351-CF8M 1.4408
3	Stem	Acid-resistant steel AISI 316, ASTM A 276 316
4	Seat	Glass fibre reinforced PTFE
5	Seals	PTFE
6	Handle and bolt	Stainless steel, AISI 304
7	Stem nut	Stainless steel, AISI 304



Mpa



Item No.	DN	G	d	L	H	W	S	Kv	kg/unit
9140300	8	1/4"	11.6	61	50	102	28	5.1	0.3
9140301	10	3/8"	12.7	61	50	102	28	2.9	0.3
9140302	15	1/2"	15.0	64	50	102	28	8.5	0.3
9140303	20	3/4"	20.0	78	60	120	35	21.3	0.6
9140304	25	1"	25.0	90	70	159	35	29.7	0.9
9140305	32	1 1/4"	32.0	100	80	159	38	39.1	1.3
9140306	40	1 1/2"	38.0	118	90	188	38	68.0	2.0
9140307	50	2"	50.8	138	90	188	38	93.5	3.2
9140308	65	2 1/2"	65.0	168	145	245	55	263.5	6.0
9140309	80	3"	80.0	193	145	245	55	306.0	10.1