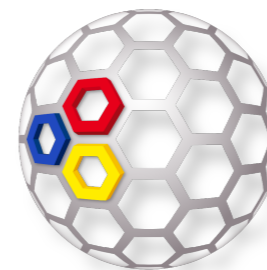
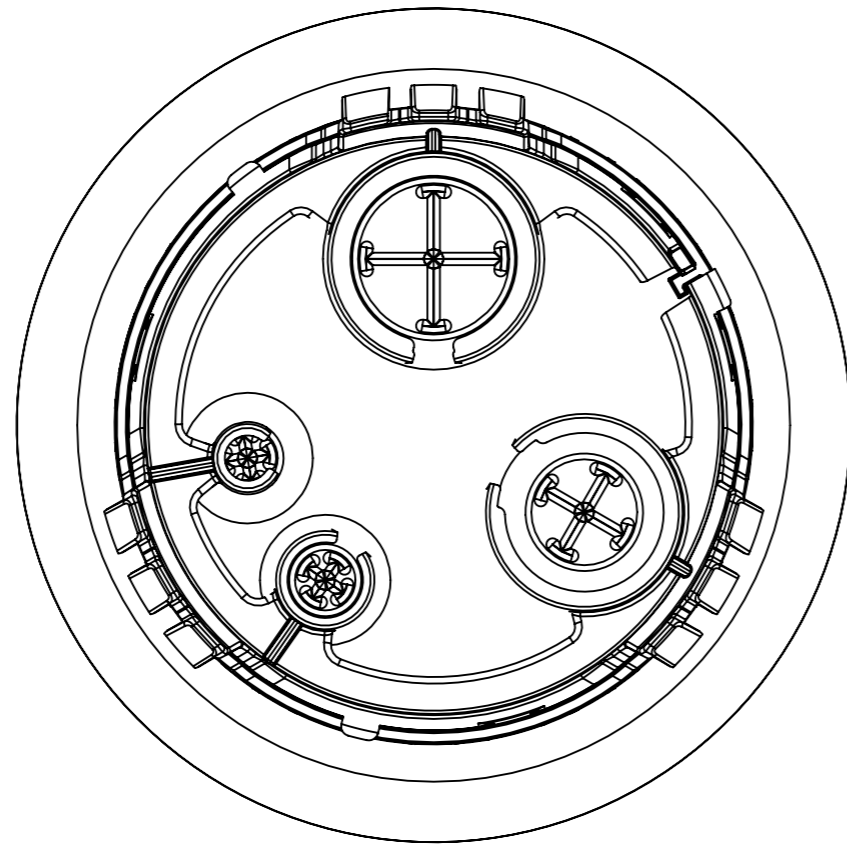
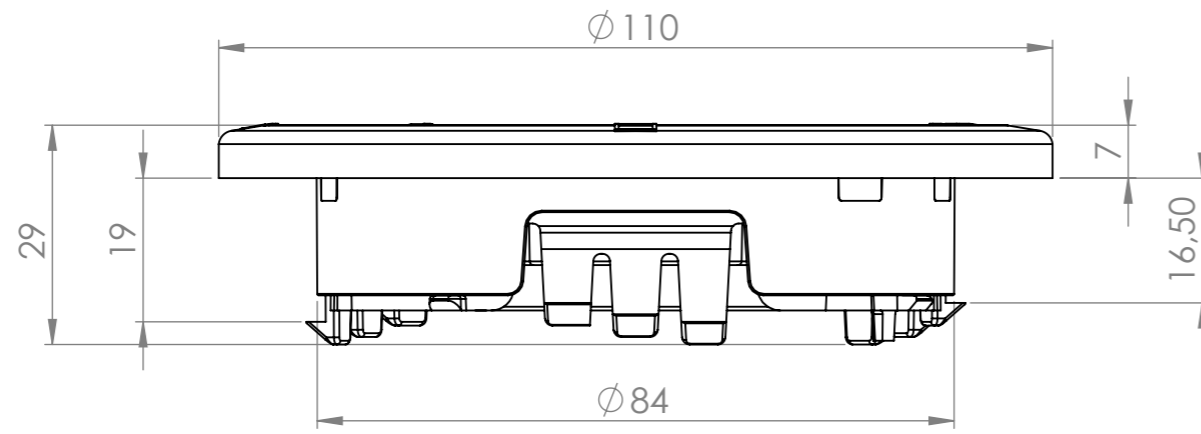



This document must not be copied without our written permission, and the contents thereof must not be imparted to a third party nor be used for any unauthorized purpose. Contravention will be prosecuted.



TOLLCO

Designed By <b>PG</b>		Date <b>2016-11-29</b>		Description	
Drawn By <b>RW</b>		Date <b>2017-02-01</b>			
Approved By		Date		Drawing number	Revision
Material					
Tolerance <b>±</b>		Weight <b>kg</b>			
Scale <b>1:1</b>	Format <b>A3</b>	Sheet/Sheet <b>1/1</b>	Rev Part		