



17/05/2017

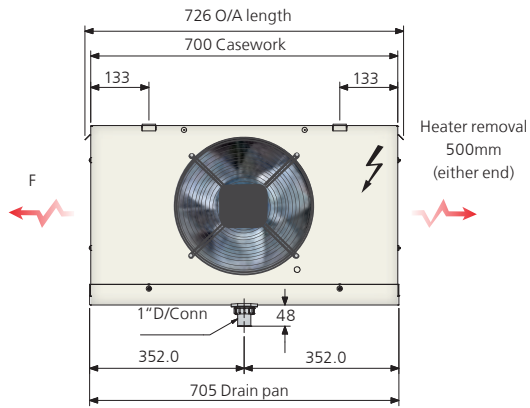
Specification

	SI	KEC-MX35-8
Duty	kW	2.00
Gross or Net of Motors		Gross
Orientation		Ceiling Mounted
Air On Temperature	°C	-22.5
Actual TD	K	6.5
Dew or Mid Point		Dew Point
Evaporating Temperature	°C	-29.0
Refrigerant		CO2 (R744)
Circulation Method		DX
Maximum Allowable Pressure	barg	80
Maximum Medium Temperature	°C	80.0
PED Category		0
Air Volume	m3/s	0.7
Air Throw	m	16
Sound Pressure Level	dB(A)	47 @ 3 m
Tube Material		Copper
Fin Material		Aluminium
Fin Spacing	mm	8.0
Surface Area	m2	13
Face Velocity	m/s	1.9
Inlet Connection Size	inches OD	1/2"
Outlet Connection Size	inches OD	5/8"
Sections per Unit		1
Refrigerant Charge	kg	2.2
Electrical Supply		230-1-50/60
Rows of Fans		1
Fans per Row		2
Fan Type		Propellor
Fan Diameter	mm	300
Fan Speed	1/min	1370
Input Power (per motor)	W	33
Starting Current (per fan)	A	0.5
Full Load Current (per fan)	A	0.35
Defrost Type		L
Defrost Power (Coil)	kW	1.60
Defrost Power (Tray)	kW	0.800
Defrost Power (Fans, Total)	kW	
Overall Length	mm	1326
Overall Width	mm	524
Overall Height	mm	416
Dry Weight	kg	53
Part Number		KEC-MX35-8L
Software Release		3.9.0

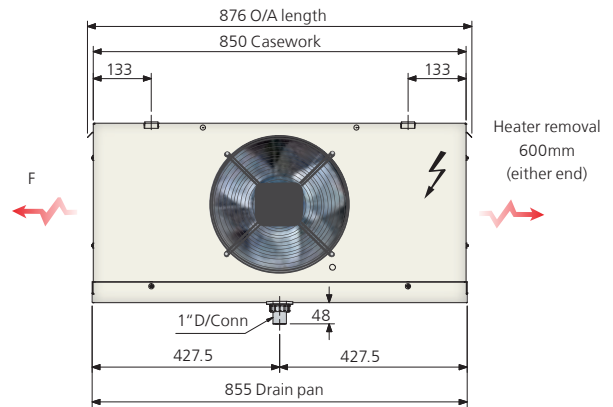
Kelvion Searle

20 Davis Way, Newgate Lane, Fareham, PO14 1AR, United Kingdom
 A trading division of Kelvion Ltd

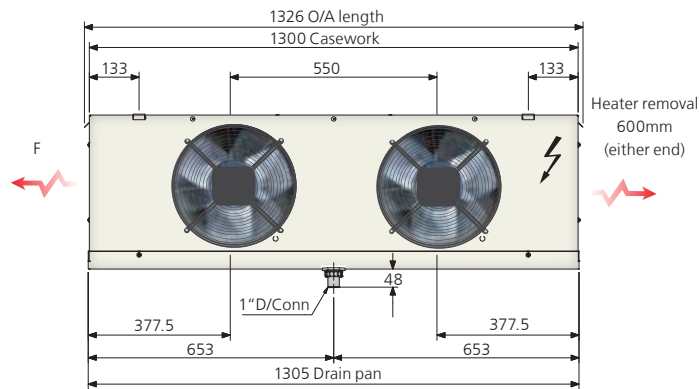
KEC 10 - 15



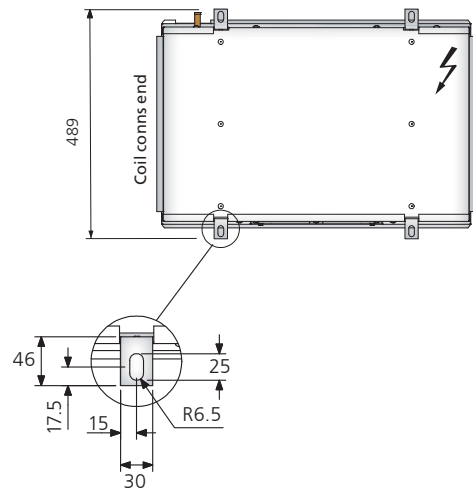
KEC 20 - 30



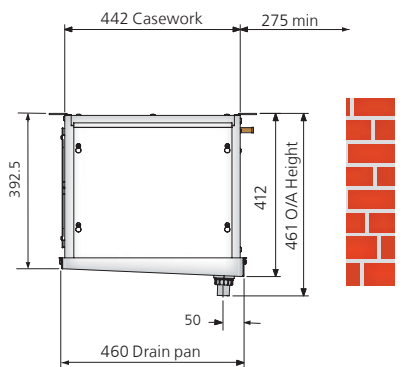
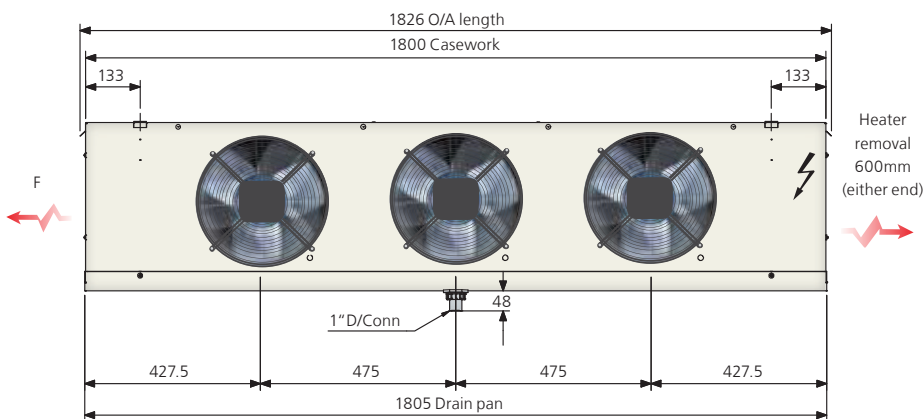
KEC35 - 45



Hanging bracket



KEC55 - 70



Note: Maintenance access require at both ends of unit All dimensions in mm, F' = Min heat Withdrawal



17/05/2017

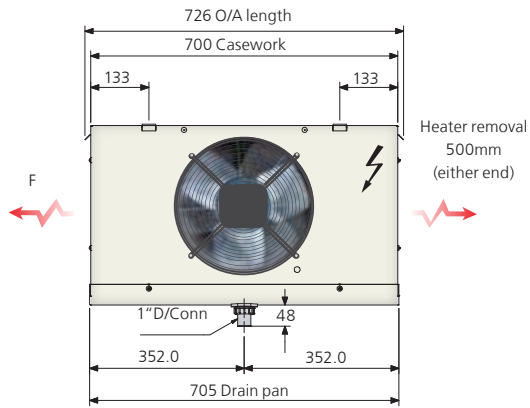
Specification

	SI	KEC-MX40-6
Duty	kW	4.00
Gross or Net of Motors		Gross
Orientation		Ceiling Mounted
Air On Temperature	°C	1.6
Actual TD	K	7.6
Dew or Mid Point		Dew Point
Evaporating Temperature	°C	-6.0
Refrigerant		CO2 (R744)
Circulation Method		DX
Maximum Allowable Pressure	barg	80
Maximum Medium Temperature	°C	80.0
PED Category		0
Air Volume	m3/s	0.9
Air Throw	m	22
Sound Pressure Level	dB(A)	55 @ 3 m
Tube Material		Copper
Fin Material		Aluminium
Fin Spacing	mm	6.0
Surface Area	m2	17
Face Velocity	m/s	2.5
Inlet Connection Size	inches OD	1/2"
Outlet Connection Size	inches OD	5/8"
Sections per Unit		1
Refrigerant Charge	kg	2.2
Electrical Supply		230-1-50/60
Rows of Fans		1
Fans per Row		2
Fan Type		Propellor
Fan Diameter	mm	300
Fan Speed	1/min	1750
Input Power (per motor)	W	77
Starting Current (per fan)	A	1
Full Load Current (per fan)	A	0.7
Defrost Type		L
Defrost Power (Coil)	kW	1.60
Defrost Power (Tray)	kW	0.800
Defrost Power (Fans, Total)	kW	
Overall Length	mm	1326
Overall Width	mm	524
Overall Height	mm	416
Dry Weight	kg	53
Part Number		KEC-MX40-6L
Software Release		3.9.0

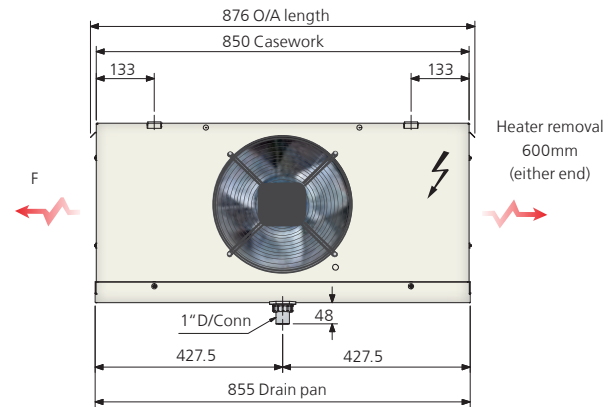
Kelvion Searle

20 Davis Way, Newgate Lane, Fareham, PO14 1AR, United Kingdom
 A trading division of Kelvion Ltd

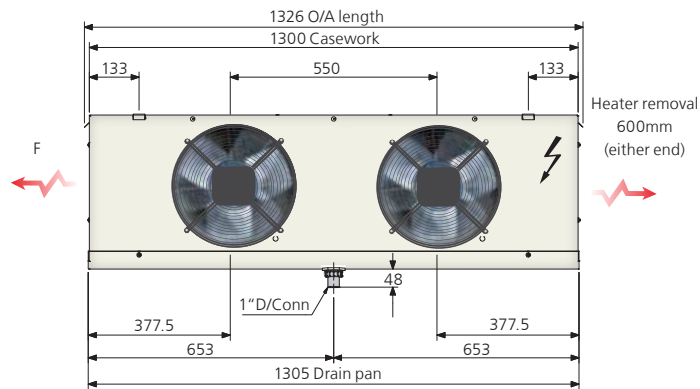
KEC 10 - 15



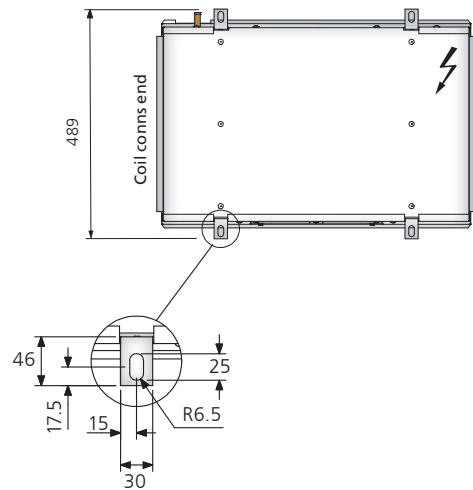
KEC 20 - 30



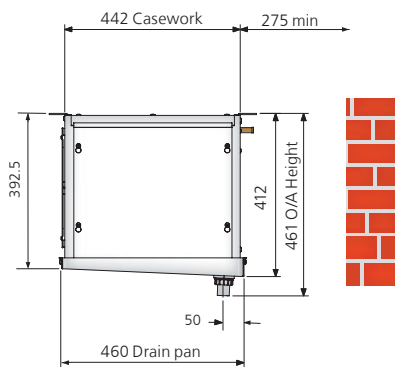
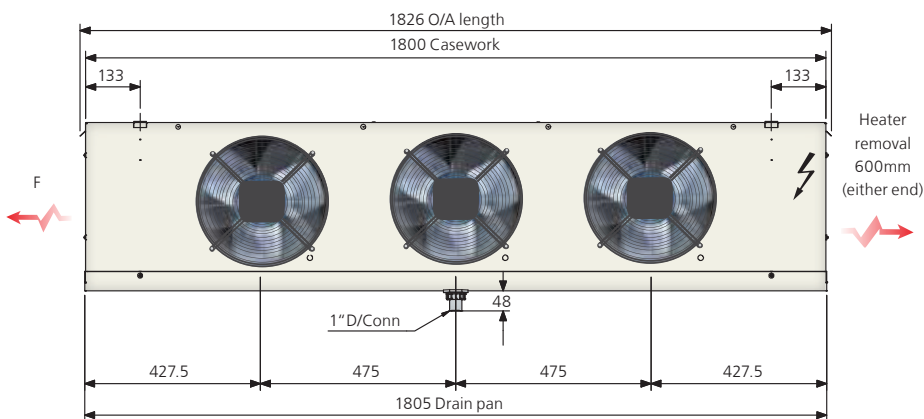
KEC35 - 45



Hanging bracket



KEC55 - 70



Note: Maintenance access require at both ends of unit All dimensions in mm, F' = Min heat Withdrawal