

Performance according to ISO 9906 - Annex A

Power datas referred to:

Water [100%]: 4°C; 1kg/dm<sup>3</sup>; 1,57mm<sup>2</sup>/s

Liquid temperature:

-10°C (14°F) to +110°C (230°F) for heating pumps

-10°C (14°F) to +85°C (185°F) for domestic hot water pumps



**Pump data**

Make	Lowara
Port to port (mm)	180
Electrical connection	Terminals
Specific EEI	<= 0,23
Nominal pressure	PN 6/10
Connection	Threaded pipe / G 1 ½ – Rp 1

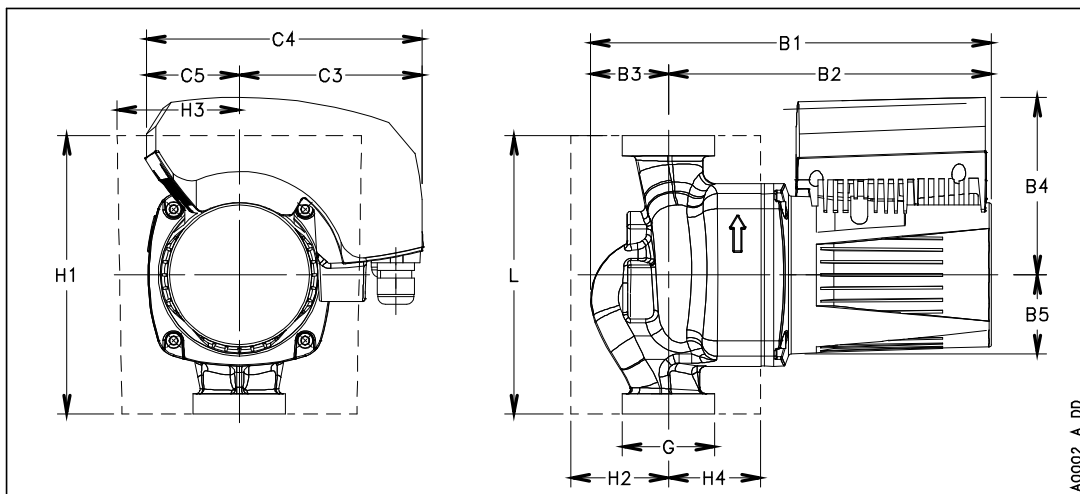
**Electrical data**

Rated voltage	230 V
Frequency	50 / 60
Protection class	IP 44
Insulation class	F
Digital input	Contact load: 5V, 10 mA
Digital output	Vmax < 250 VAC / Imax < 2 A
Analog input	0-10 V / 4-20 mA
Leakage current	< 3.5 mA
Communication capabilities	No communication protocol
Sound pressure level	<= 43 dB(A)
Rated current	1,4 A

**Materials**

Bush Bearing	Carbon, resin impregnated	impeller	PPS
Thrust bearing	Aluminum oxide	Wear ring	Stainless steel
Bearing plate	Stainless steel	Rotor can	Stainless steel
Motor housing	Aluminum	Shaft	Stainless steel
O-ringar	EPDM	Control box	Poly carbonate
Pumphus	Cast Iron		

**Dimensions mm**



B1	260
B2	205
B3	55
B4	118
B5	51
C3	116
C4	178
C5	62
Gross weight	10,55
H1	180
H2	70
H3	83
H4	55
L	180
Net weight	7

A0002\_A\_DD